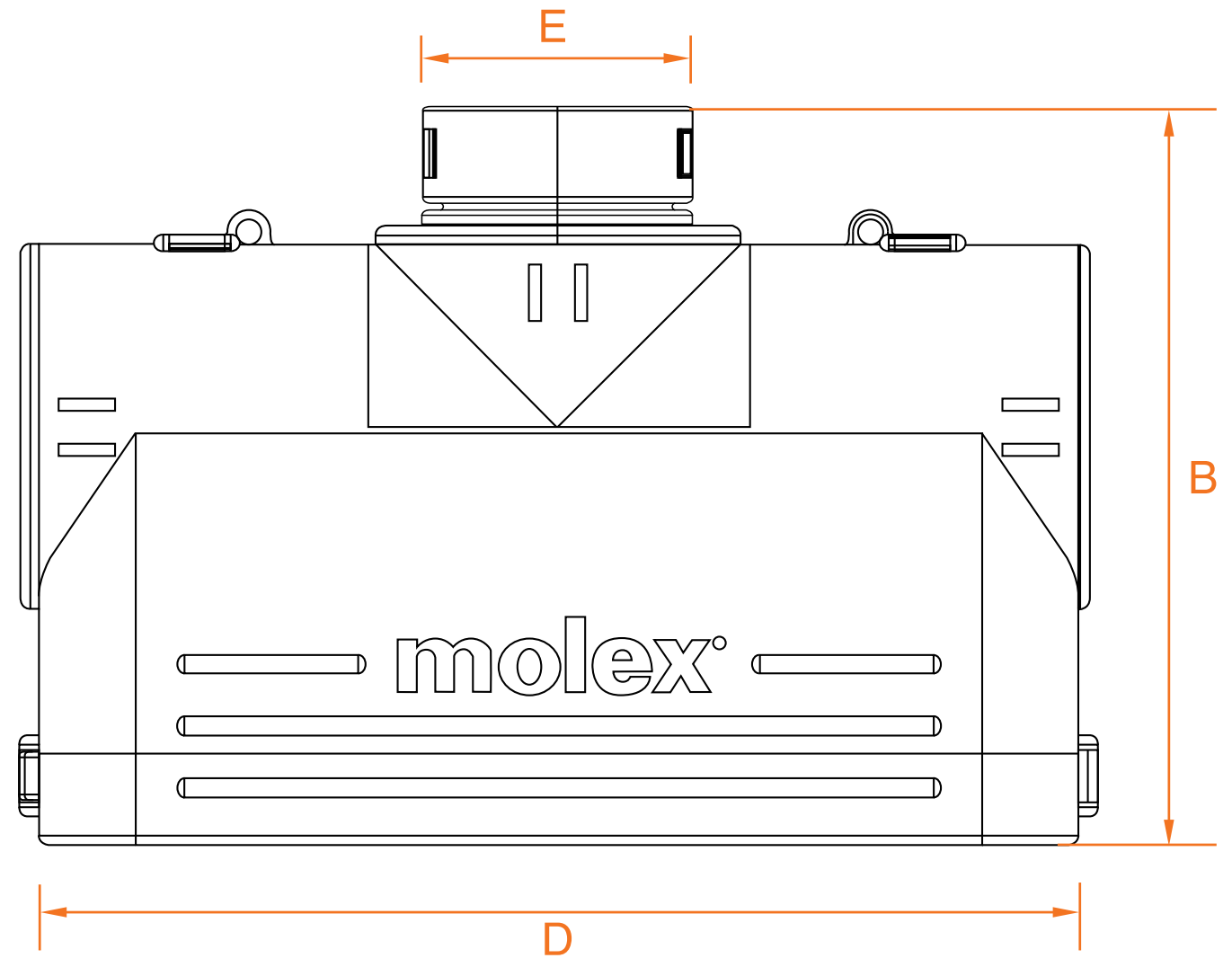
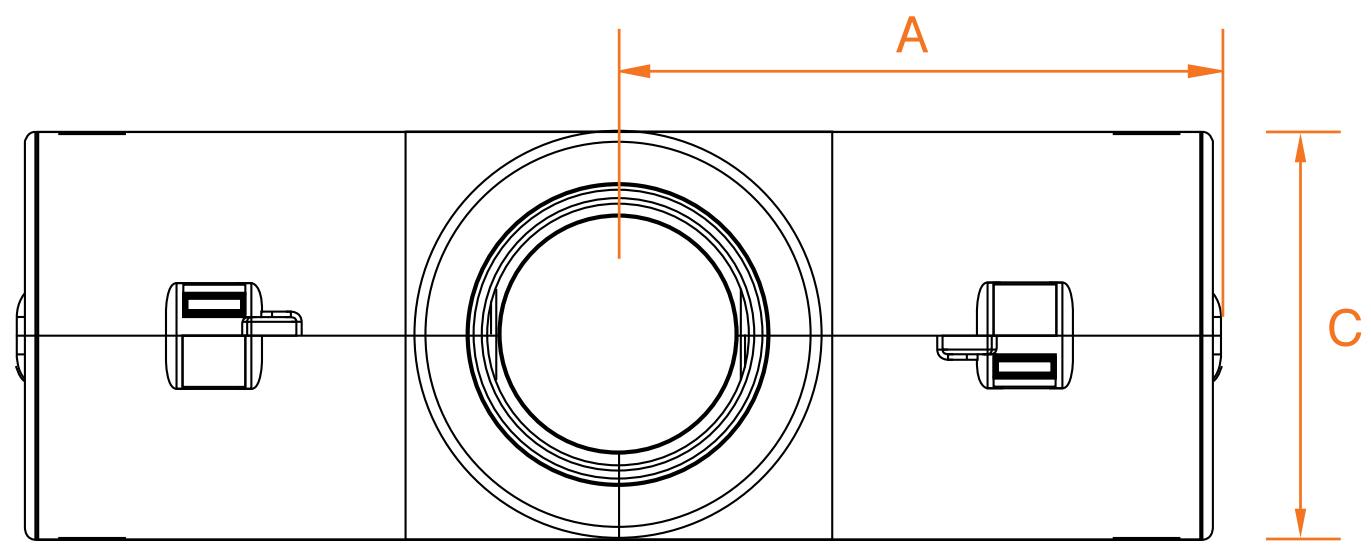
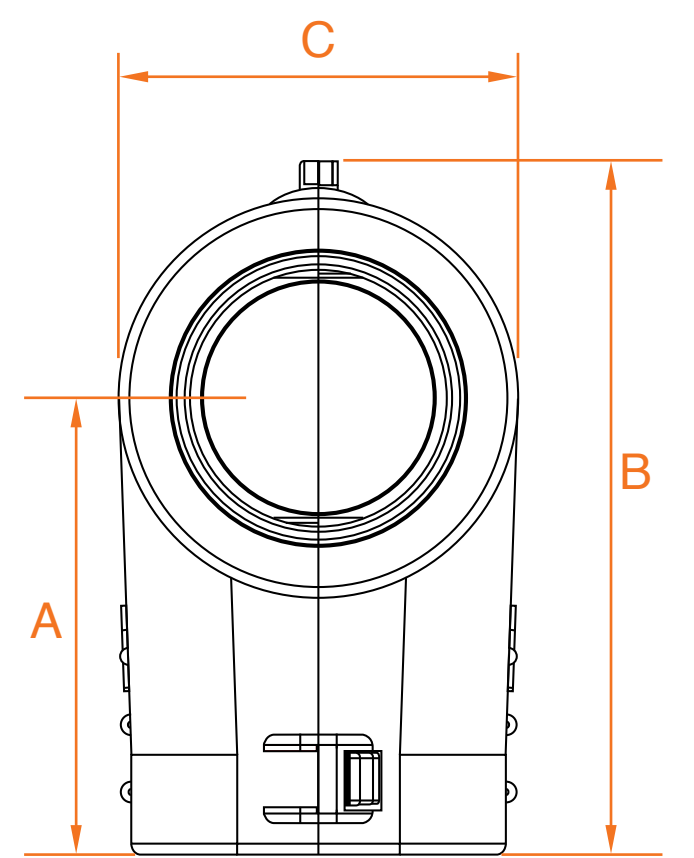
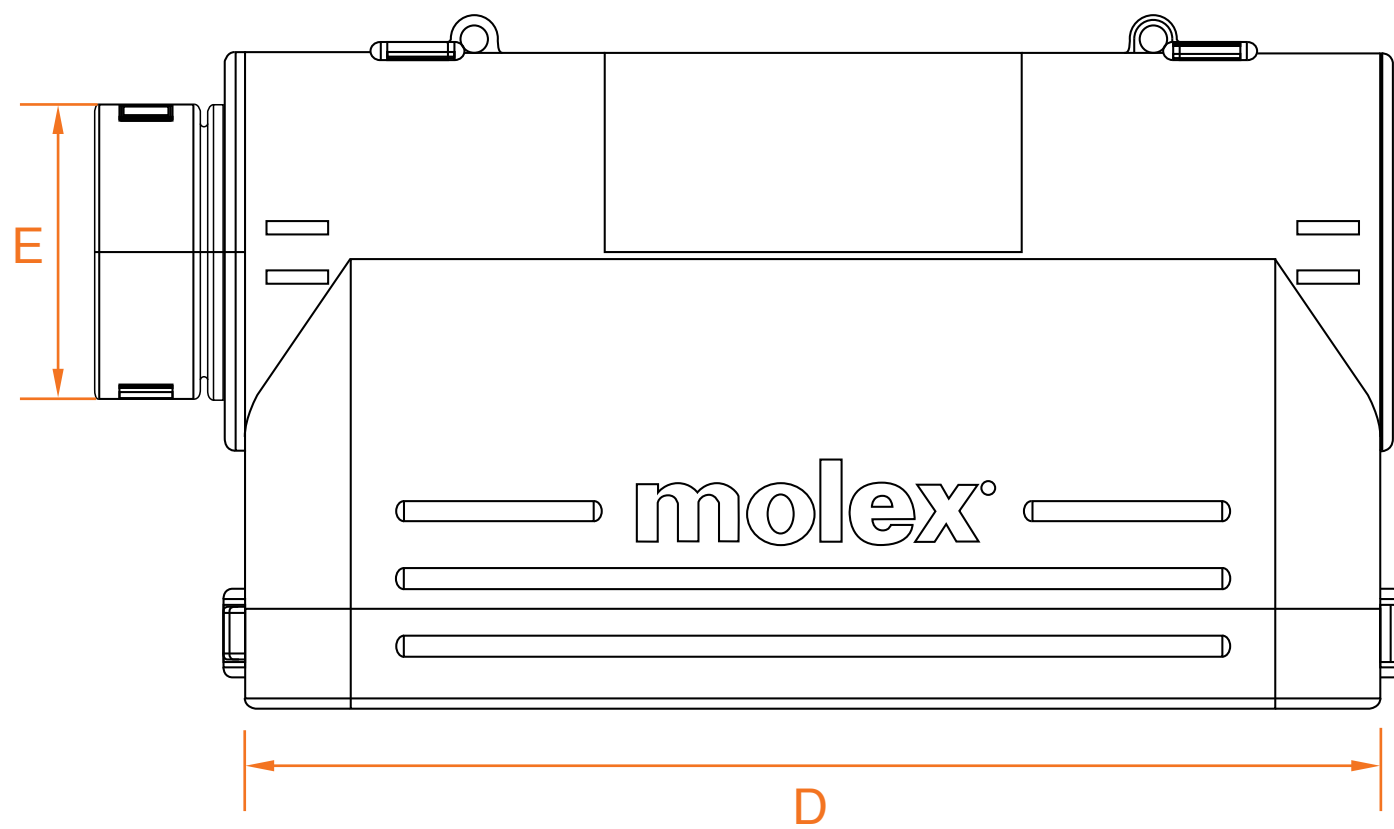




### External Connector Interface



### 90° External Connector Interface



## Straight Interface

Part No.	Conduit Size		Nominal Dimensions			
	(NC)	(NW)	A	B	C	D
M28-MX93286	-	-	56.6	77.5	38.3	113.2
C128-MX93286	28	23	56.6	77.5	38.3	113.2
C132-MX93286	32	29	56.6	77.5	38.3	113.2
C140-MX93286	40	36	56.6	83.3	46.8	113.2

## 90° Elbow Interface

Part No.	Conduit Size		Nominal Dimensions			
	(NC)	(NW)	A	B	C	D
M28-90-MX93286	-	-	43.8	66.6	38.3	125.6
C128-90-MX93286	28	23	43.8	66.6	38.3	125.6
C132-90-MX93286	32	29	43.8	66.6	38.3	125.6
C140-90-MX93286	40	36	43.8	68.5	46.8	131.4