

## Modular Conduit Clips

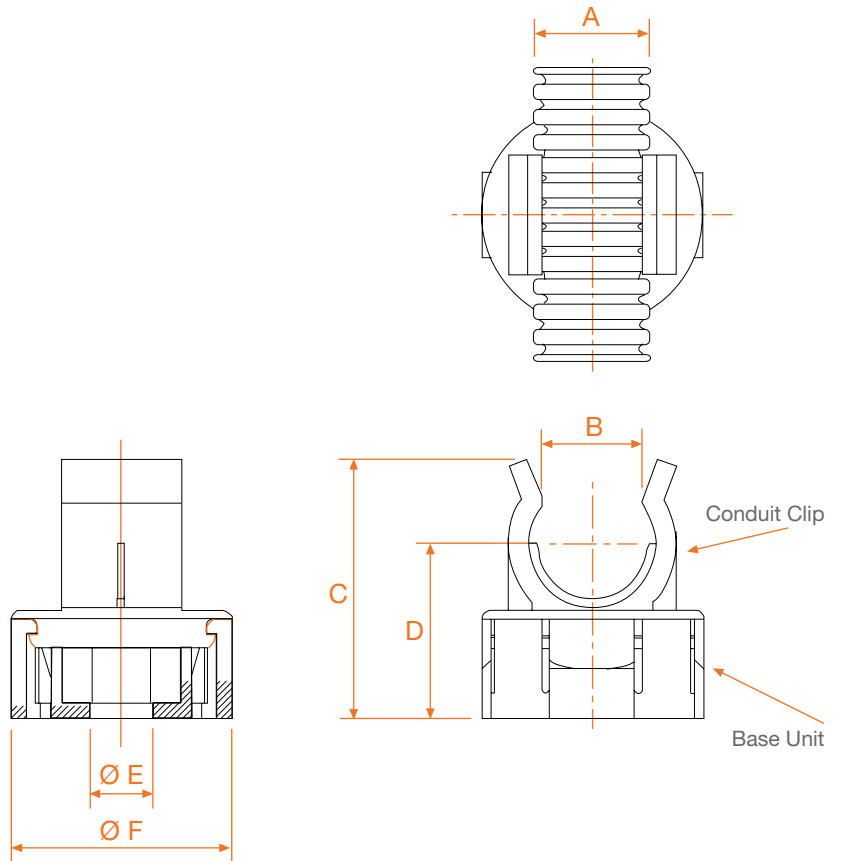
### Description

One piece, non-metallic conduit clips providing secure mounting points for conduit systems within a Harnessflex installation.

Base unit provides a strong and secure location, while rotating conduit clip prevents detachment through vibration.

These clips are designed to snap together and securely locate Harnessflex slit and unslit conduits.

### Configurations and Dimensions



Part No.	Base Unit	Dimensions								Colour
		A	B	C	D	E	F			
MCS22-08	MCB22	NC08	NW7.5	7	22	16	6.2	22	Black	
MCS22-12	MCB22	NC12	NW10	10	25	17.5	6.2	22	Grey	