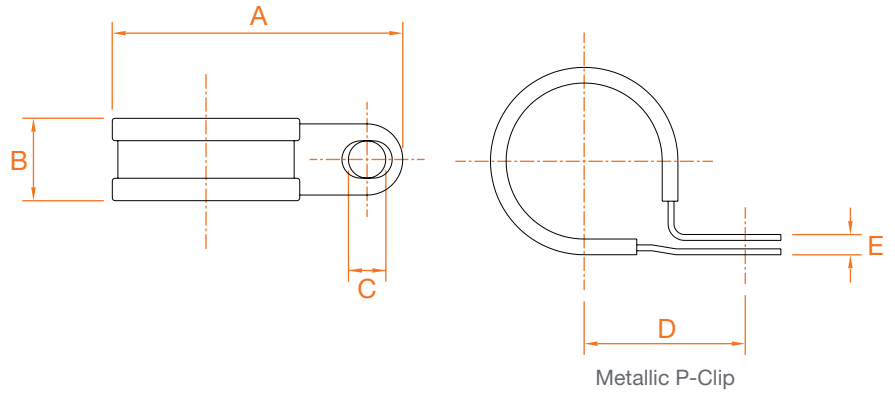


P-Clips

Description

One-piece metallic P-clips providing secure mounting points for conduit systems within a Harnessflex installation. These clips are designed to accommodate all Harnessflex slit and unslit conduits.

Configurations and Dimensions



Part No.	Conduit Sizes		Nominal Dimensions				Fixing Hole Size
	(NC)	(NW)	A	C	D	E	B
PCS10	10	8.5	31	13	5	16	1.5
PCS12	12	10	33	13	5	17	1.5
PCS16	16	13	36	13	5	19	1.5
PCS20	20	17	41	13	5	21	1.5
PCS25	25	22	45	13	5	23	1.5
PCS32	32	29	53	13	5	27	1.5
PCS40	40	36	76	25	14	38	2.4
PCS50	50	48	86	25	14	43	2.4