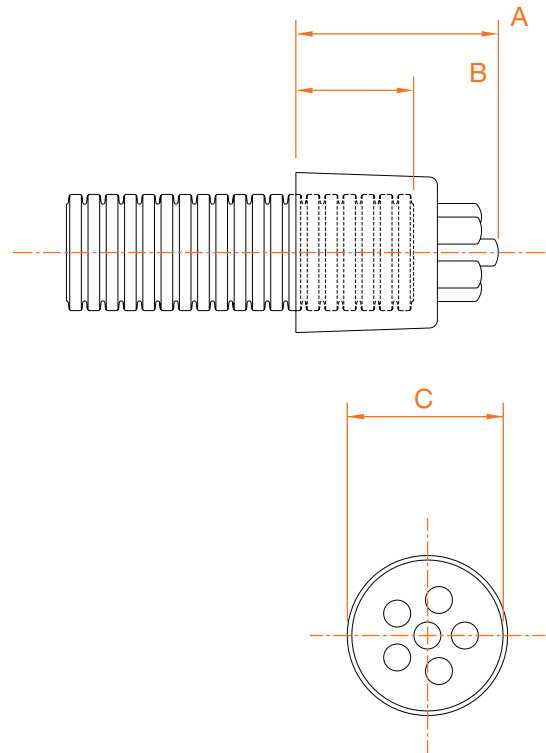


End Caps

Description

Non-metallic end caps designed for use with Harnessflex cable glands, enclosures and sealed fittings to connect knockouts and threaded entries.

Configurations and Dimensions



Part No.	Conduit Sizes		Outlet Diameter Range	Nominal Dimensions		
	(NC)	(NW)		A	B	C
EK03-08	08	7.5	3	19	13	14
EK03-08	10	8.5	3	19	13	14
EK05	12	10	5	22	14	17