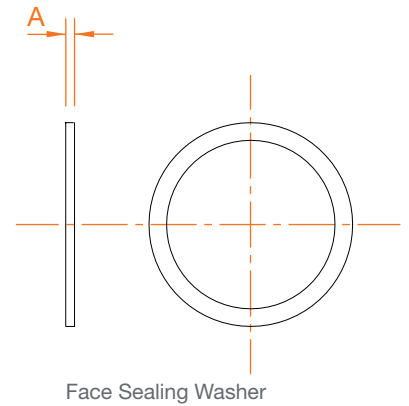


Face Sealing Washer

Description

Non-metallic face-sealing washers designed for use with Harnessflex cable glands, enclosures and sealed fittings to connect knockouts and threaded entries.

Configurations and Dimensions



Part No.	Thread	A
SWM16	M16	1.5
SWM20	M20	1.5
SWM25	M25	1.5
SWM32	M32	1.5
SWM40	M40	1.5
SWM50	M50	1.5

Part No.	Thread Size	A
SWPG07	PG07	1.2
SWPG09	PG09	1.2
SWPG11	PG11	1.2
SWPG13	PG13.5	1.2
SWPG16	PG16	1.2
SWPG21	PG21	1.2
SWPG29	PG29	1.2
SWPG36	PG36	1.2
SWPG48	PG48	1.2