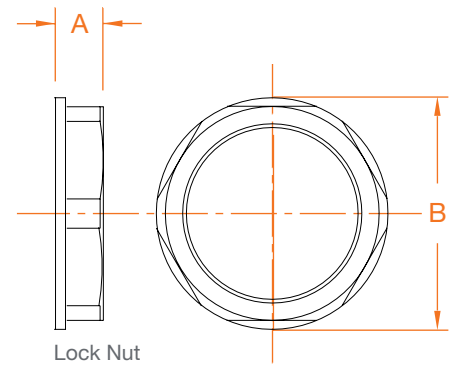


Locknuts

Description

Non-metallic locknuts designed for use with Harnessflex cable glands, enclosures and sealed fittings to connect knockouts and threaded entries.

Configurations and Dimensions



Part No.	Thread Size	A	B (A/F)
LNP-M16	M16 x 1.5	7	19
LNP-M20	M20 x 1.5	8	23
LNP-M25	M25 x 1.5	9	28
LNP-M32	M32 x 1.5	9	36
LNP-M40	M40 x 1.5	10	46
LNP-M50	M50 x 1.5	10	60

Part No.	Thread Size	A	B (A/F)
LNP-PG07	PG07	5	19
LNP-PG09	PG09	5	22
LNP-PG11	PG11	5	24
LNP-PG13	PG13.5	6	27
LNP-PG16	PG16	6	30
LNP-PG21	PG21	7	36
LNP-PG29	PG29	7	46
LNP-PG36	PG36	9	56
LNP-PG48	PG48	9	59