

Cable Glands

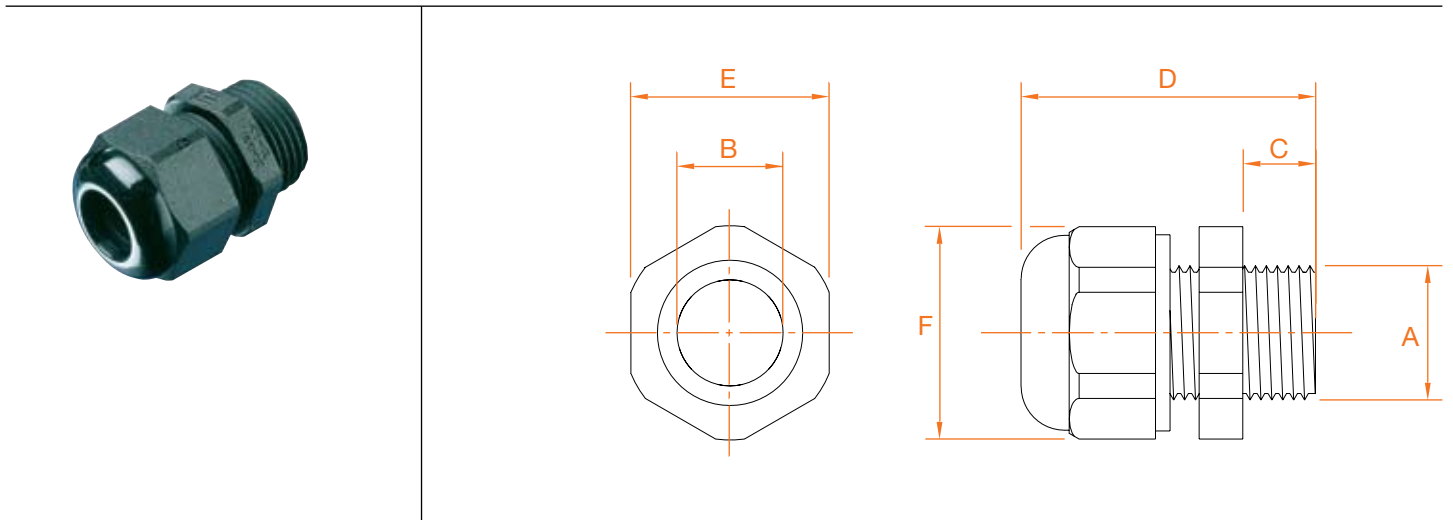
Description

Straight compression type cable glands IP68 5 bar incorporating fixed male threads to provide secure cable connections through knockouts and threaded entries.

Accessories/Please Note:

For extending the capability of Harnessflex cable glands, see locknuts, face sealing washers and blanking plugs PDF's.

Configurations and Dimensions



Metric Versions

Part No.	Thread	Cable O/D Range	A/F Size			
	A		B	C	D	E
CGS-M16	M16 x 1.5	4.0 - 10.0	9	34.5	21	23.5
CGS-M20	M20 x 1.5	6.0 - 12.0	10	37	24	27
CGS-M25	M25 x 1.5	13.0 - 18.0	11	40	30	33
CGS-M32	M32 x 1.5	17.0 - 25.0	12	49	41	45.5
CGS-M40	M40 x 1.5	24.0 - 32.0	13	55	50	55.5
CGS-M50	M50 x 1.5	24.0 - 38.5	12	65	60	68
CGS-M63	M63 x 1.5	35.0 - 44.0	12	67	70	79

PG Versions

Part No.	Thread	Cable O/D Range	A/F Size			
	A		B	C	D	E
CGS-PG07	PG7	2.0 - 6.5	8	31	17	19
CGS-PG09	PG9	4.0 - 10.0	8	33.5	21	23.5
CGS-PG11	PG11	6.0 - 12.0	8	35	24	27
CGS-PG13	PG13.5	6.0 - 12.0	9	36	24	27
CGS-PG16	PG16	10.0 - 14.0	10	38.5	27	30
CGS-PG21	PG21	13.0 - 18.0	11	40	30	33
CGS-PG29	PG29	17.0 - 25.0	11	48	41	45.5
CGS-PG36	PG36	24.0 - 32.0	13	55	50	55.5