

## Circular UNEF Connector Interfaces

### Description

Straight compression type fittings providing connection between military style circular connections and conduit systems.

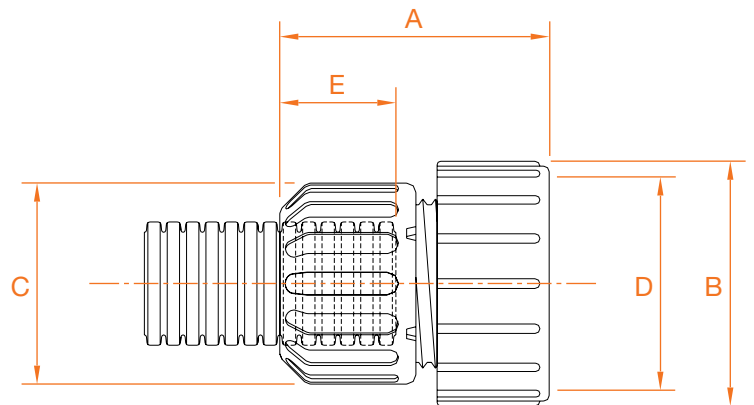
These fittings are designed for use with all types of slit and unslit conduit thus maintaining maximum conduit bore.

See Quick link for details on reducing options which enable each straight fitting to accommodate a variety of conduit sizes.

### Accessories/Please Note:

For extending the capability of sealed fittings, consult us for the following: clamping rings, end sleeves, end caps, grommet seals, locknuts, face sealing washers, thread reducers/enlargers.

### Configurations and Dimensions



Part No.	Cap Nut	Sealing Bush	Face Sealing Washer	Conduit Sizes		Thread Size	Nominal Dimensions				Thread Size
				(NC)	(NW)		A	B	C	E	
MPA01	CN07	SRNO7	SWPG07	10	8.5	5/8" - 24 UNEF	30	24	23	17	5/8" - 24 UNEF
MPA01	CN09	SRNO9	SWPG07	12	10	5/8" - 24 UNEF	30	24	23	17	5/8" - 24 UNEF
MPA02	CN09	SRNO9	SWM16	12	10	7/8" - 24 UNEF					
MPA03	CN16	SRN16	SWM20	20	17	1" - 20 UNEF	33	36	31	20	1" - 20 UNEF
MPA04	CN16	SRN16	SWPG16	20	17	1 3/16" - 18 UNEF	32	37	31	20	1 3/16" - 18 UNEF
MPA05	CN21	SRN21	SWM25	25	22	1 7/16" - 18 UNEF	37	44	39	21	1 7/16" - 18 UNEF
MPA05	CN28	SRN28	SWM25	28	23	1 7/16" - 18 UNEF	37	44	39	21	1 7/16" - 18 UNEF
MPA06	CN07	SRNO7	SWM20	10	8.5	1" - 20 UNEF					
MPA07	CN09	SRNO9	SWPG16	12	10	1 3/16" - 18 UNEF					
MPA08	CN07	SRNO7	SWPG09	10	8.5	3/4" - 20 UNEF	30	32	23	17	3/4" - 20 UNEF
MPA09	CN09	SRNO9	SWPG09	12	10	3/4" - 20 UNEF					
MPA10							34	32	23	17	1 1/16" - 24 UNEF
MPA11							32	35	31	20	1 5/16" - 20 UNEF