

Manifolds

Description

Asymmetrical, 4 junction compression fitting.

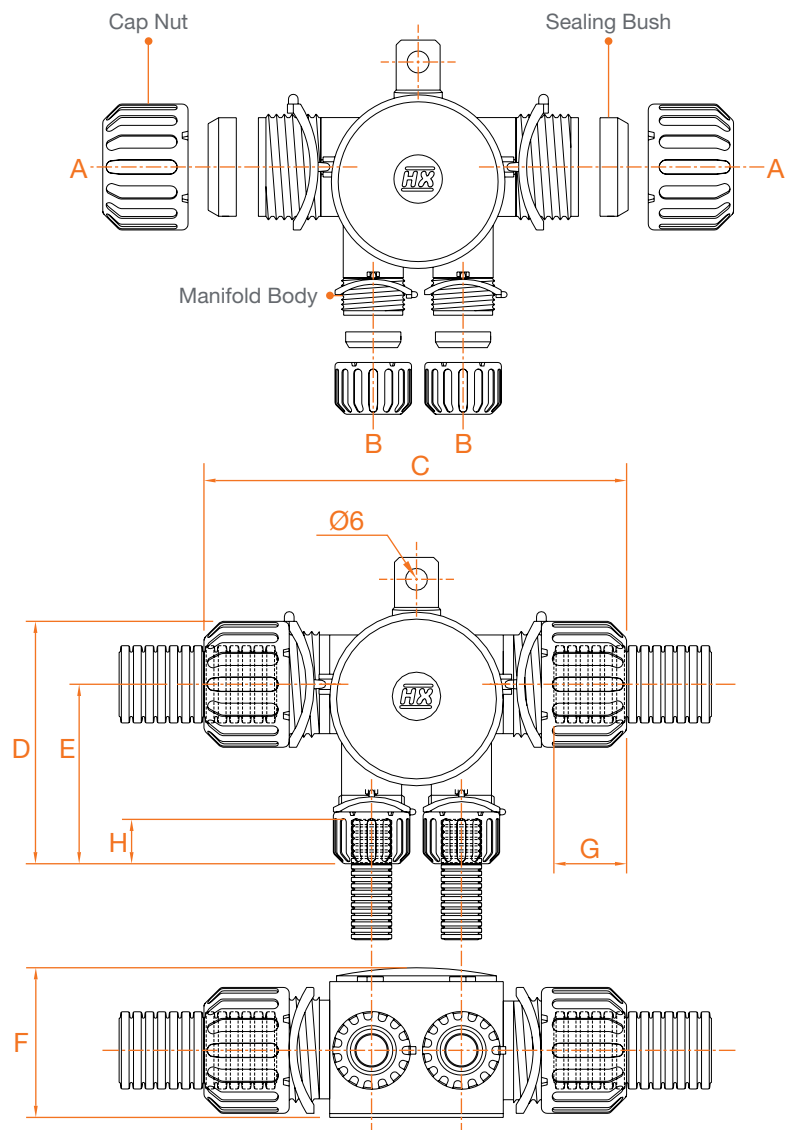
These fittings are designed for use with all types of unslit conduit thus maintaining maximum conduit bore.

See Quick link for details on reducing options which enable each straight fitting to accommodate a variety of conduit sizes.

Accessories/Please Note:

For extending the capability of sealed fittings, consult us for the following: clamping rings, end sleeves, end caps, grommet seals, locknuts, face sealing washers, thread reducers/enlargers.

Configurations and Dimensions



Part No.	Cap Nut		Sealing Bush		Conduit Sizes (NC)		Conduit Sizes (NW)		Nominal Dimensions					
	A	B	A	B	A	A	A	A	C	D	E	F	G	H
TPM2512	CN21	CN07	SRN21	SRN07	25	10	22	8.5	105	74	55	40	21	17
TPM2512	CN21	CN09	SRN21	SRN09	25	12	22	10	105	74	55	40	21	17
TPM2512	CN28	CN07	SRN28	SRN07	28	10	23	8.5	105	74	55	40	21	17
TPM2512	CN28	CN09	SRN28	SRN09	28	12	23	10	105	74	55	40	21	17