

## X-Piece

### Description

Symmetrical, 4 junction compression type fittings providing a variety of conduit size configurations.

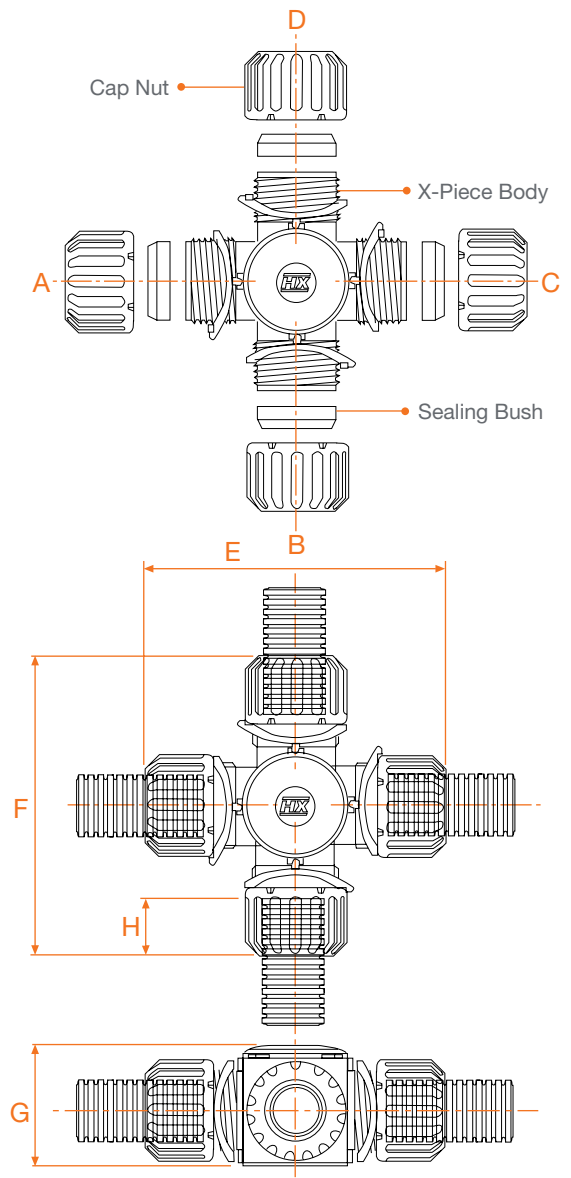
These fittings are designed for use with all types of slit and unslit conduit thus maintaining maximum conduit bore.

See Quick link for details on reducing options which enable each straight fitting to accommodate a variety of conduit sizes.

### Accessories/Please Note:

For extending the capability of sealed fittings, consult us for the following: clamping rings, end sleeves, end caps, grommet seals, locknuts, face sealing washers, thread reducers/enlargers.

### Configurations and Dimensions



## X-Piece

Part No.	Cap Nut	Sealing Bush	Conduit Sizes (NC)				Conduit Sizes (NW)				Nominal Dimensions			
			A	B	C	D	A	B	C	D	E	F	G	H
<b>XP20</b>	CN16	SRN16	20	20	20	20	17	17	17	17	80	80	35	20