

## T-Pieces

### Description

Symmetrical, 3 junction compression type fittings providing a variety of conduit size configurations.

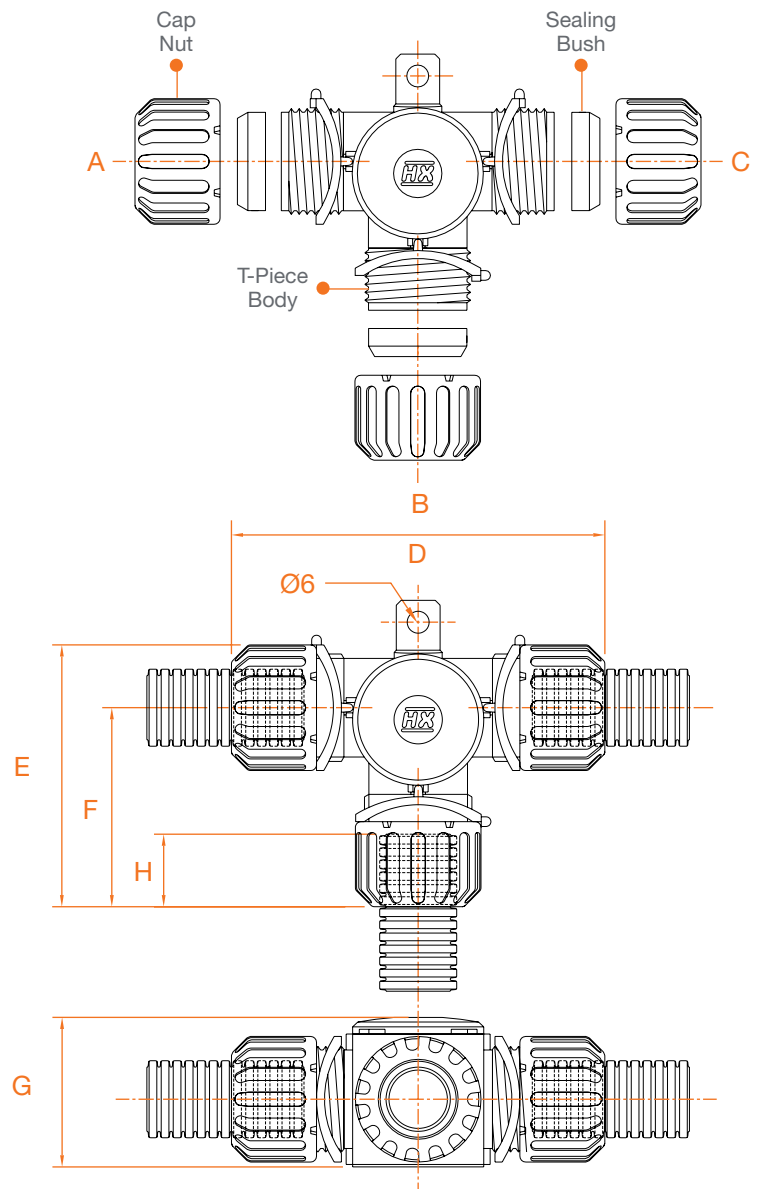
These fittings are designed for use with all types of slit and unslit conduit thus maintaining maximum conduit bore.

See Quick link for details on reducing options which enable each straight fitting to accommodate a variety of conduit sizes.

### Accessories/Please Note:

For extending the capability of sealed fittings, consult us for the following: clamping rings, end sleeves, end caps, grommet seals, locknuts, face sealing washers, thread reducers/enlargers.

### Configurations and Dimensions



## T-Piece with Bracket

Part No.	Cap Nut	Sealing Bush	Conduit Sizes (NC)			Conduit Sizes (NW)			Nominal Dimensions				
			A	B	C	A	B	C	D	E	F	G	H
<b>TPB20</b>	CN16	SRN16	20	20	20	17	17	17	80	58	43	35	20
<b>TPB28</b>	CN21	SRN21	25	25	25	22	22	22	95	71	52	43	21
<b>TPB28</b>	CN28	SRN28	28	28	28	23	23	23	95	71	52	43	21
<b>TPB32</b>	CN32	SRN29	32	32	32	29	29	29	109	84	61	51	27

## T-Piece no Bracket

Part No.	Cap Nut	Sealing Bush	Conduit Sizes (NC)			Conduit Sizes (NW)			Nominal Dimensions				
			A	B	C	A	B	C	D	E	F	G	H
<b>TP12</b>	CN07	SRN07	10	10	10	8.5	8.5	8.5	68	50	39	27	17
<b>TP12</b>	CN09	SRN09	12	12	12	10	10	10	68	50	39	27	17
<b>TP16</b>	CN11	SRN11	16	16	16	13	13	13	69	51	38	31	17
<b>TP20</b>	CN16	SRN16	20	20	20	17	17	17	80	58	43	35	20
<b>TP28</b>	CN21	SRN21	25	25	25	22	22	22	95	71	52	43	21
<b>TP28</b>	CN28	SRN28	28	28	28	23	23	23	95	71	52	43	21
<b>TP32</b>	CN32	SRN29	32	32	32	29	29	29	109	84	61	51	27