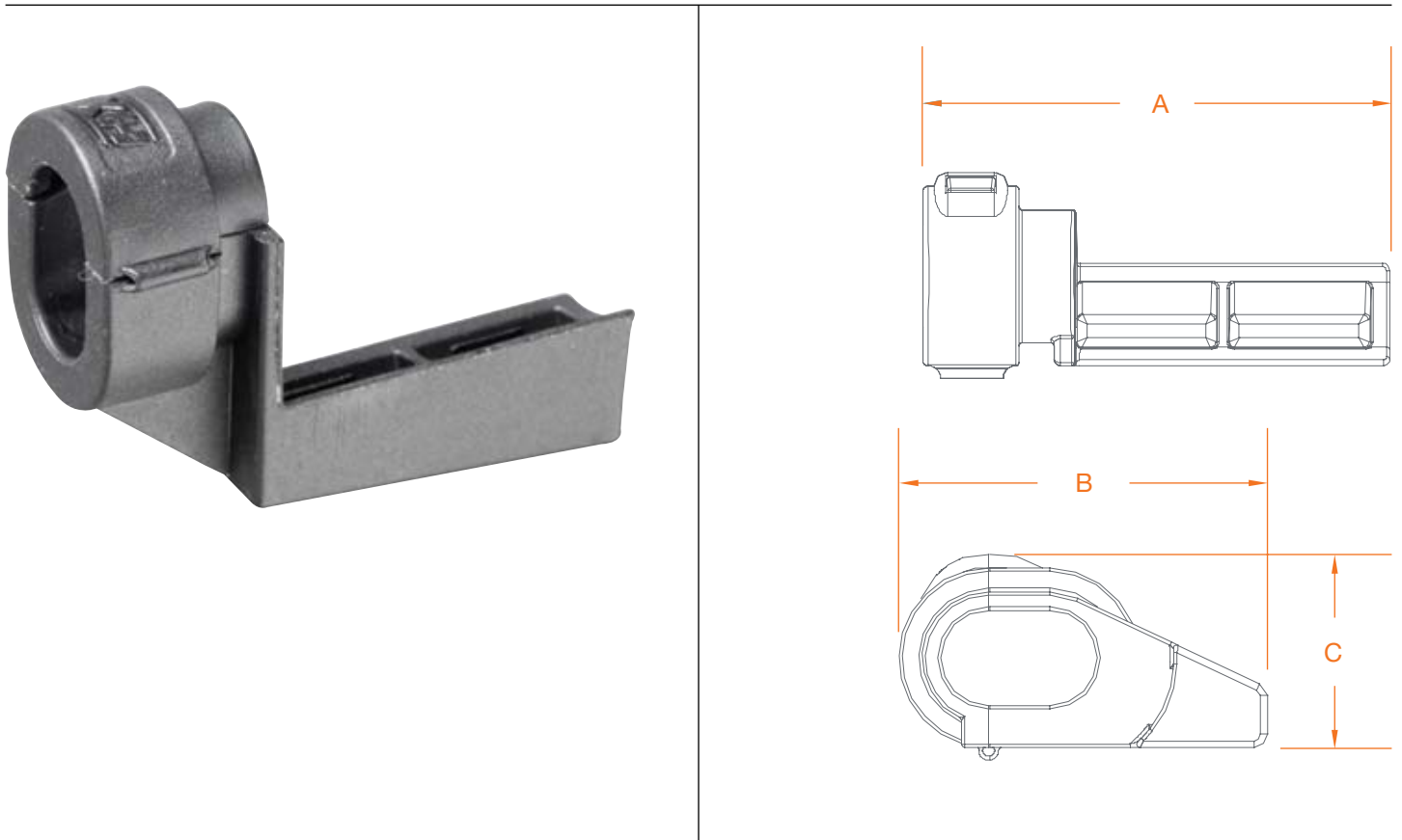


Kostal Inhibitor Hinged Interface

Description

Clip-on inhibitor for 2-way Kostal interface, to provide easy and correct harness installation.

Configurations and Dimensions



Kostal Inhibitor

Part No.	Conduit Size		Dimensions		
	(NC)	(NW)	A	B	C
K21-LH	n/a	n/a	35.3	27.7	15.4