

## Sumitomo Hinged Interface

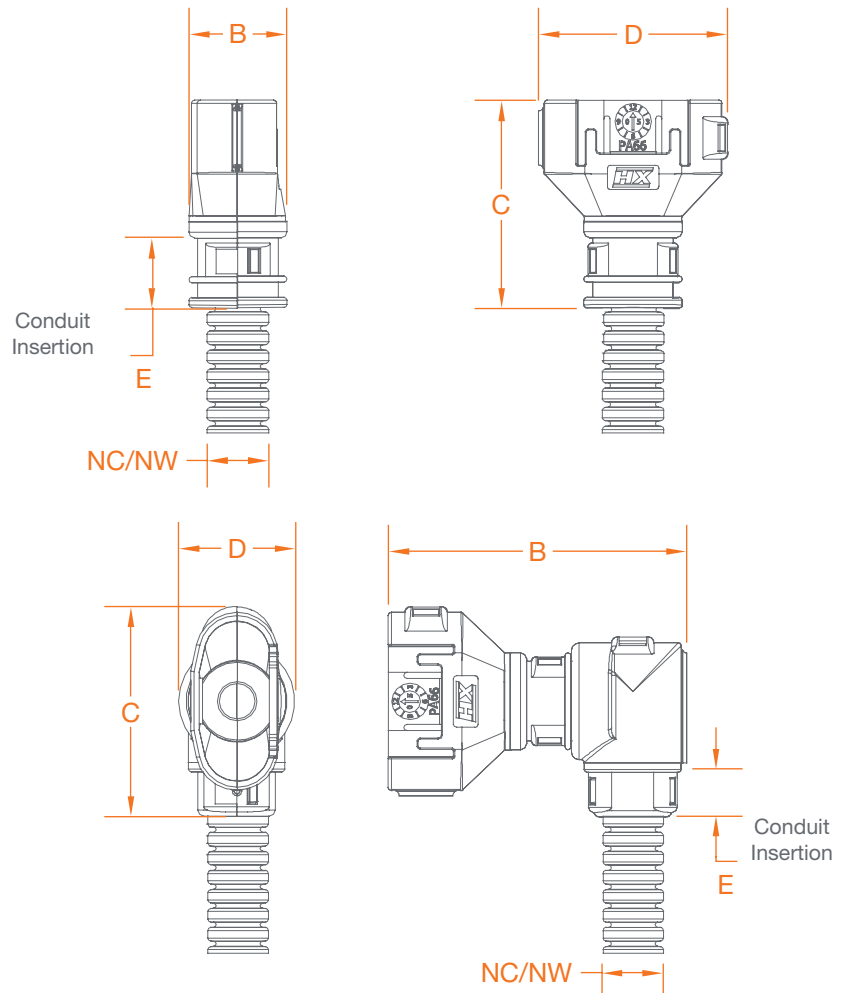
### Description

Single junction, straight and 90° elbow fittings offering a compact and high integrity connection between Sumitomo connectors and Harnessflex conduit systems.

These fittings are designed to snap together over all types of slit and unslit conduit thus maintaining maximum conduit bore.

In addition, 90° elbow versions allows the conduit to swivel 360° around the connector housing, sufficient to avoid the problems associated with one-piece interfaces of overflexing due to movement or vibration.

### Configurations and Dimensions



### Sumitomo 4 Way

Part No.	Conduit Size		Dimensions			
	(NC)	(NW)	B	C	D	E
CI08-SU4	08	7.5	16.2	29.4	35.0	12.3
CI08-90-SU4	08	7.5	48.2	19.6	34.4	7.3