

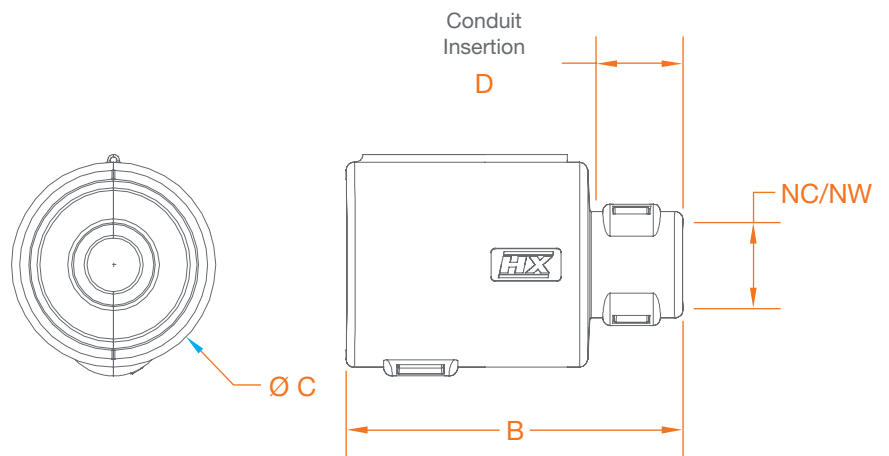
DIN 72585 Hinged Interfaces

Description

Circular interface to fit DIN 72585 STYLE connectors.

Connector is free to swivel after interface is installed.

Configurations and Dimensions



Circular Interface

Part No.	Conduit Size		Dimensions		
	(NC)	(NW)	B	C	D
CI08-72585	08	7.5	40.9	24.9	10
CI12-72585	12	10	40.9	24.9	10