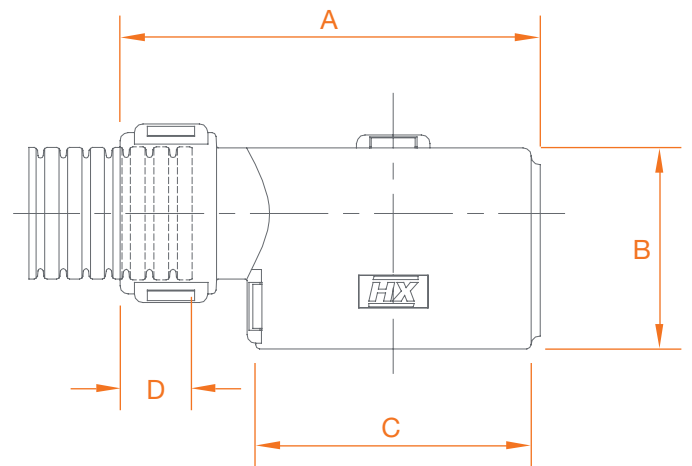
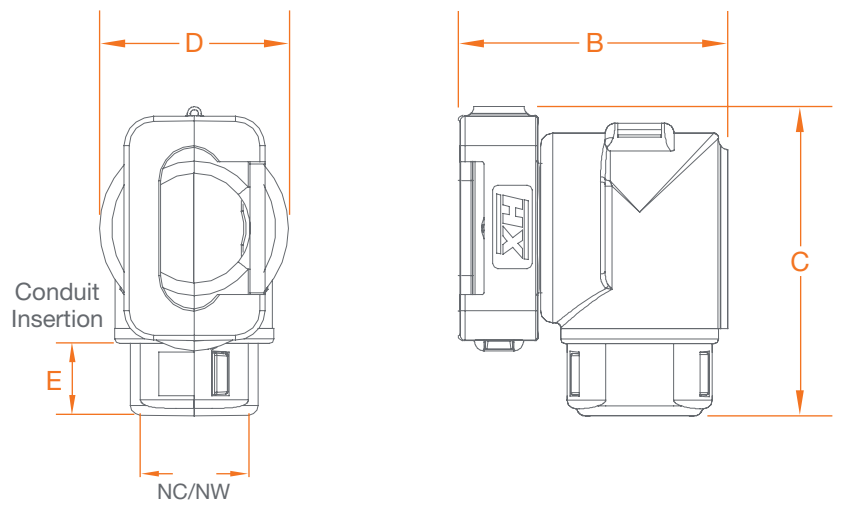


Kostal Hinged Interfaces

Description

Clip-on elbow interface for Kostal in-line connector.

Configurations and Dimensions



Straight Interface

Part No.	Conduit Size		Nominal Dimensions			
	(NC)	(NW)	A	B	C	D
CI16-LK20	16	13	51	28	34	10

Auto Electrical Supplies Limited

128 Thornes Lane,
Wakefield,
West Yorkshire WF2 7RE

For all enquiries

Telephone: +44 (0) 1924 364464
Email: enquiries@aeswakefield.com
www: aeswakefield.com



90° Elbow Swivel Interface

Part No.	Conduit Size		Nominal Dimensions			
	(NC)	(NW)	A	B	C	D
CI108-90-K2C	08	7.5	27.4	30	19.5	10
CI108-90-K3C	08	7.5	27.4	31.4	19.5	10
CI112-90-K2C	12	10	27.4	31	19.5	10
CI112-90-K3C	12	10	27.4	32.4	19.5	10

PG Thread LK20

Part No.	Thread Type	Thread Length		
			A/F	I/D
PG21-LK20	PG21	12.2	37.8	22.6