

External Hinged Connector Interfaces (Bosch Compact)

Description

Single junction straight and 90° elbow fittings providing high integrity connections between various Bosch compact connectors or Junior Timer connectors and Harnessflex conduit systems.

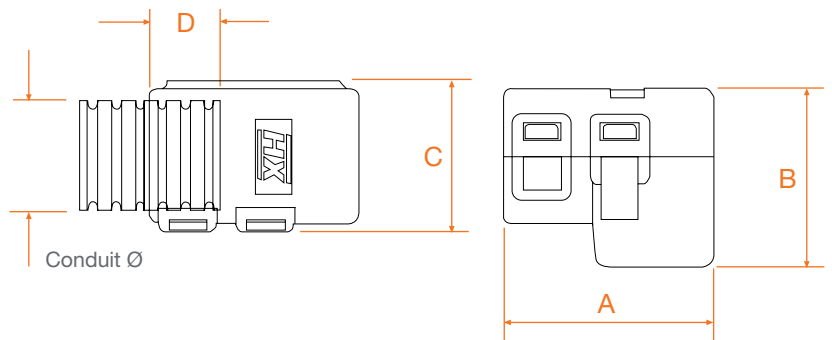
These fittings are designed to snap together over all types of slit and unslit conduit thus maintaining maximum conduit bore.

In addition 90° elbow versions allow the conduit to swivel 360° around the connector housing, sufficient to avoid the problems associated with one-piece interfaces of overflexing due to movement or vibration.

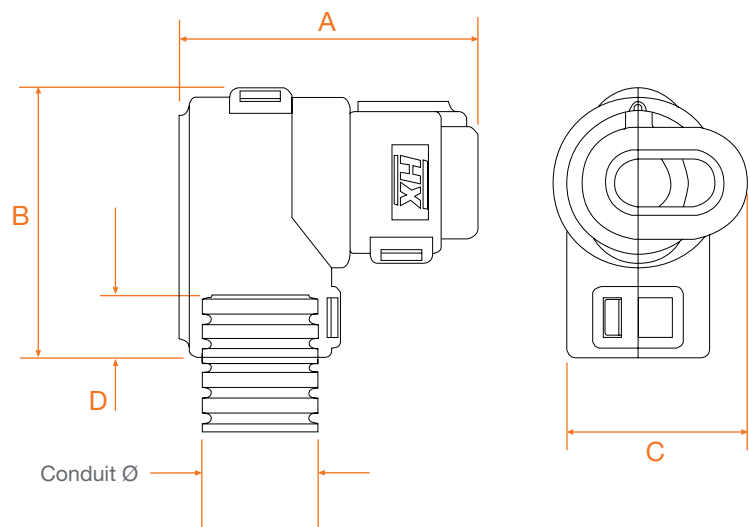
Configurations and Dimensions



External Straight Connector Interface



External 90° Elbow Connector Interface



Straight Interface

Part No.	Conduit Size		Connector Type	Nominal Dimensions			
	(NC)	(NW)		A	B	C	D
CI08-BC2	08	7.5	Bosch Compact 2-way	25	21.3	18	10
CI08-BC3	08	7.5	Bosch Compact 3-way	25	26.7	18	10
CI08-BC4	08	7.5	Bosch Compact 4-way	25	29	18	10
CI12-BC2	12	10	Bosch Compact 2-way	25	21.3	18	10
CI12-BC3	12	10	Bosch Compact 3-way	25	26.7	18	10
CI12-BC4	12	10	Bosch Compact 4-way	25	29	18	10
CI28-BC40	28	23	Bosch Compact 40-way	44.4	40	-	-

90° Elbow Swivel Interface

Part No.	Conduit Size		Connector Type	Nominal Dimensions			
	(NC)	(NW)		A	B	C	D
CI08-90-BC2	08	7.5	Bosch Compact 2-way	33.3	30.3	20.5	10
CI08-90-BC3	08	7.5	Bosch Compact 3-way	33.3	30.3	26.7	10
CI08-90-BC4	08	7.5	Bosch Compact 4-way	37	30.3	33	10
CI12-90-BC2	12	10	Bosch Compact 2-way	33.3	30.3	20.5	10
CI12-90-BC3	12	10	Bosch Compact 3-way	33.3	30.3	26.7	10
CI12-90-BC4	12	10	Bosch Compact 4-way	37	30.3	33	10