

FCI Automotive Apex Hinged Interfaces

Description

Single junction straight and 90° elbow fittings providing high integrity connection between FCI Apex connectors or Junior timer connectors and Harnessflex conduit systems.

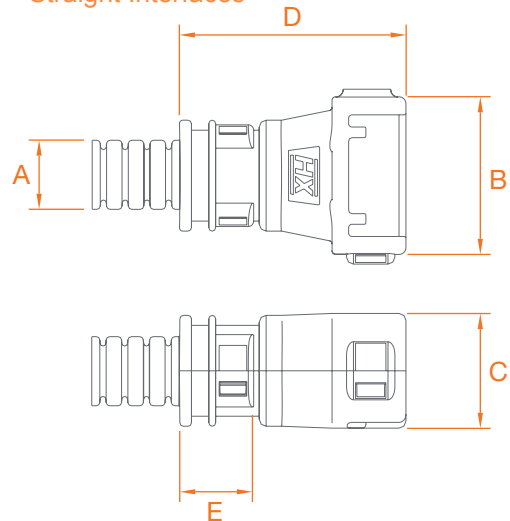
These fittings are designed to snap together over all types of slit and unslit conduit thus maintaining maximum conduit bore.

In addition 90° elbow versions allow the conduit to swivel 360° around the connector housing, sufficient to avoid the problems associated with one-piece interfaces of overflexing due to movement or vibration.

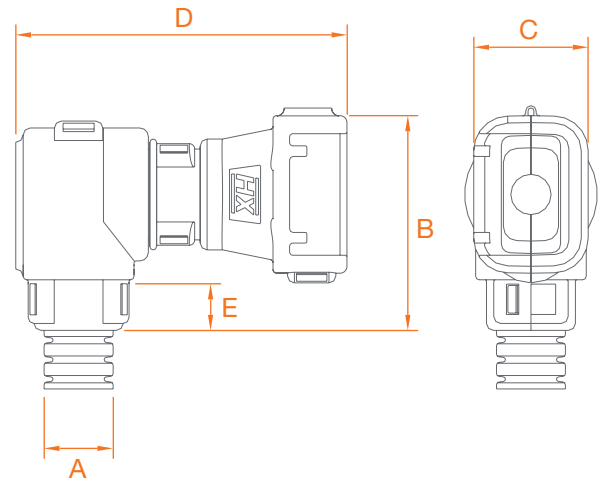
Configurations and Dimensions



Straight Interfaces



90° Elbow Swivel Interfaces



Straight Interfaces

Part No.	Conduit Size		Connector Type	Nominal Dimensions			
	(NC)	(NW)		A	B	C	D
CI08-FCIO2	08	7.5	FCI Automotive 2-way	25	17	33	12
CI08-FCIO3	08	7.5	FCI Automotive 3-way	34	17	34	12
CI08-FCIO4	08	7.5	FCI Automotive 4-way	39	17	34	12
CI12-FCIO2	12	10	FCI Automotive 2-way	25	17	27	7
CI12-FCIO3	12	10	FCI Automotive 3-way	35	17	29	7
CI12-FCIO4	12	10	FCI Automotive 4-way	38	17	29	7
CI12-FCI14	12	10	FCI Automotive 14-way	53	26	34	10
CI16-FCI14	16	13	FCI Automotive 14-way	53	26	59	10
16-FCI14	n/a	n/a	FCI Automotive 14-way	53	26	33	n/a
CI17-FCI10	17	n/a	FCI Automotive 10-way	39.2	25.5	44	10.6
CI25-FCI50	25	22	FCI Automotive 50-way	56	37	50.7	13

90° Elbow Swivel Interfaces

Part No.	Conduit Size		Connector Type	Nominal Dimensions			
	(NC)	(NW)		A	B	C	D
CI08-90-FCIO2	08	7.5	FCI Automotive 2-way	31	19	48	10
CI08-90-FCIO3	08	7.5	FCI Automotive 3-way	35	19	49	10
CI08-90-FCIO4	08	7.5	FCI Automotive 4-way	38	19	49	10
CI12-90-FCIO2	12	10	FCI Automotive 2-way	32	19	48	10
CI12-90-FCIO3	12	10	FCI Automotive 3-way	37	19	49	10
CI12-90-FCIO4	12	10	FCI Automotive 4-way	38	19	49	10
CI08-90-FCI14	08	7.5	FCI Automotive 14-way	38	24	57	10
CI12-90-FCI14	12	10	FCI Automotive 14-way	38	24	57	10
CI16-90-FCI14	16	13	FCI Automotive 14-way	38	24	57	10