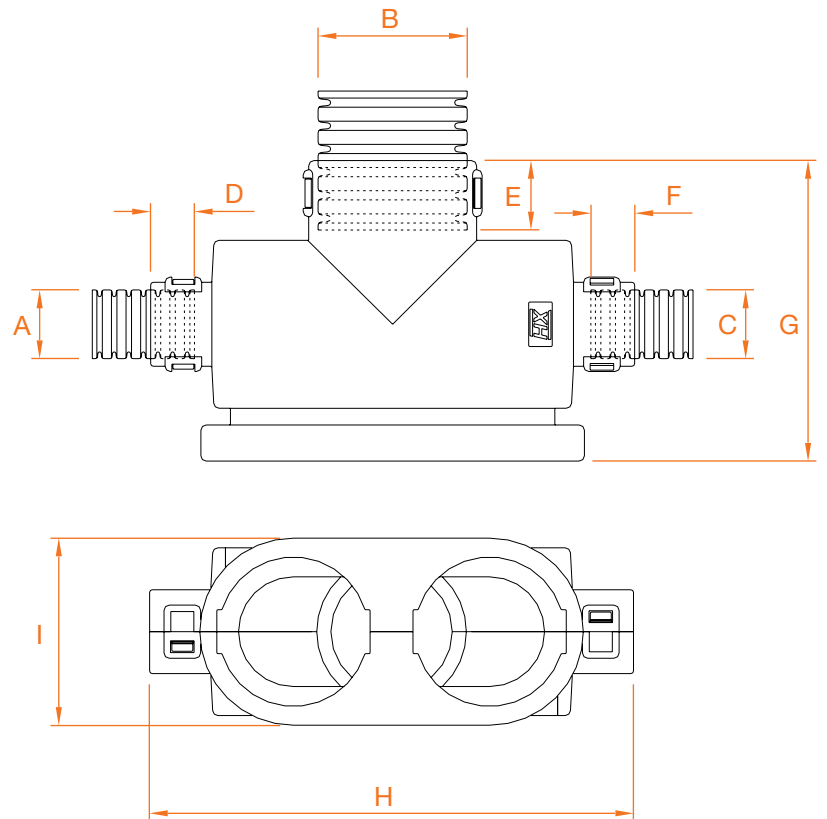


External Connector Interfaces (Deutsch - DRC50)

Description

Two identical half shells snap together onto the twin outlets of the Deutsch DRC50 interface giving a 3-way conduit fitting. These fittings are designed to snap together over all types of slit and unslit conduit thus maintaining maximum conduit bore.

Configurations and Dimensions



Nominal Dimensions

Part No.	Conduit Sizes (NC)			Conduit Sizes (NW)			Nominal Dimensions					
	A	B	C	A	B	C	D	E	F	G	H	I
CI121212-DRC50	12	12	12	10	10	10	8	8	8	50	92	36
CI122812-DRC50	12	28	12	10	23	10	8	10	8	58	92	36
CI201220-DRC50	20	12	20	17	10	17	10	8	10	50	92	36
CI202820-DRC50	20	28	20	17	23	17	10	10	10	58	92	36
CI251225-DRC50	25	12	25	22	10	22	10	8	10	50	92	36
CI252825-DRC50	25	28	25	22	23	22	10	10	10	58	92	36