

External Hinged Connector Interfaces (Deutsch - DTPO4 Series)

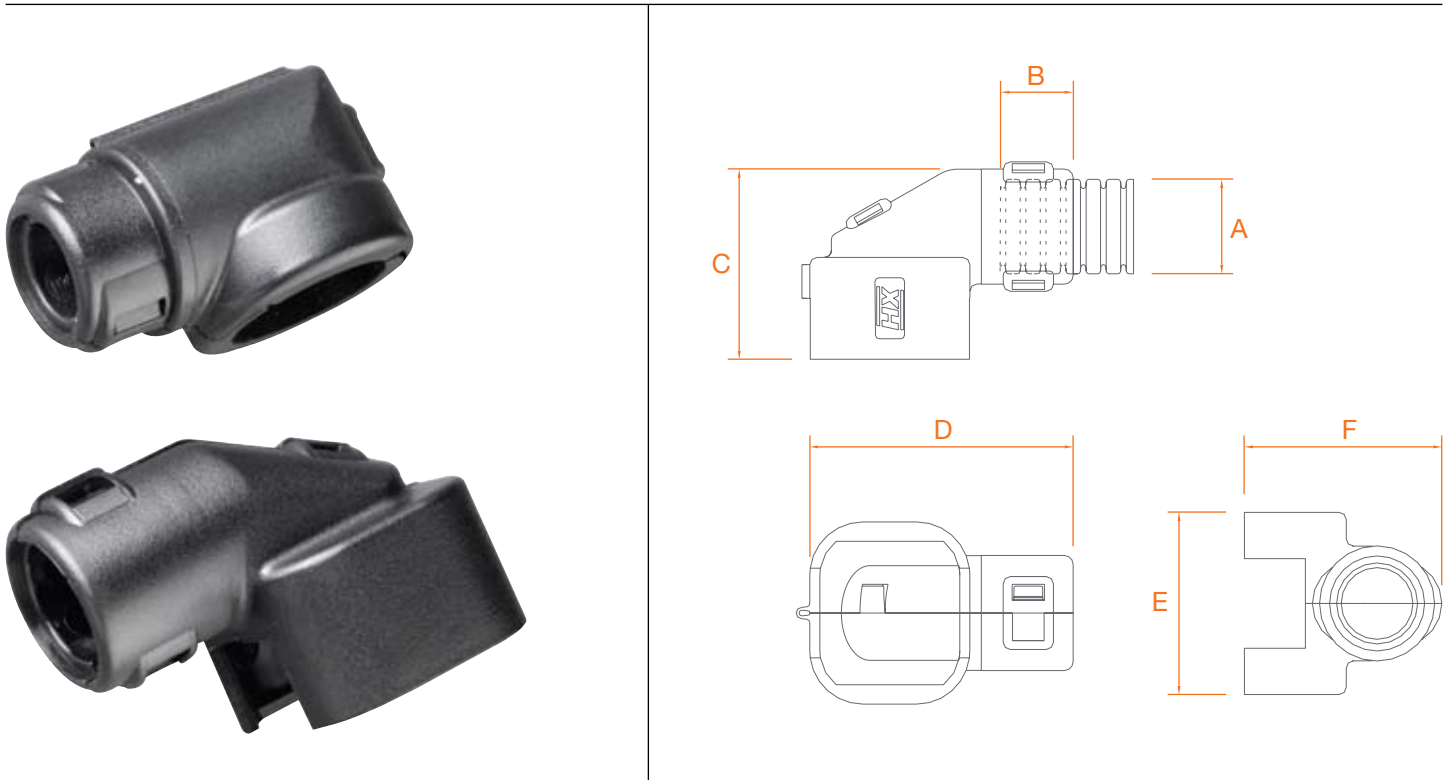
Description

Single compact 90° elbow fitting providing a dual orientation high integrity connection between the Deutsch DTPO4 and Harnessflex conduit systems.

These fittings are designed to snap together over all types of slit and unslit conduit thus maintaining maximum conduit bore.

The 16-90-DTPO4 adaptor will snap into the outlet of a 16mm hinged fitting including types 'Y' (YPS), 'T' (TPS), elbows (EPS) and joiners (JPS).

Configurations and Dimensions



Nominal Dimensions

Part No.	Conduit Size		Nominal Dimensions				
	(NC)	(NW)	B	C	D	E	F
C12-90-DTPO4	12	7.5	10	27	37	25	28
16-90-DTPO4	-	-	-	27	35	25	27