

External Hinged Connector Interfaces (AMP Seal 16)

Description

A range of straight and 90° elbow fittings offering a compact and high integrity connection between AMP Seal automotive connectors and Harnessflex conduit systems.

These interfaces provide complete cable protection right up to the connector. They also provide strain relief and protection from high pressure washing, helping to maintain the sealing integrity of the connector.

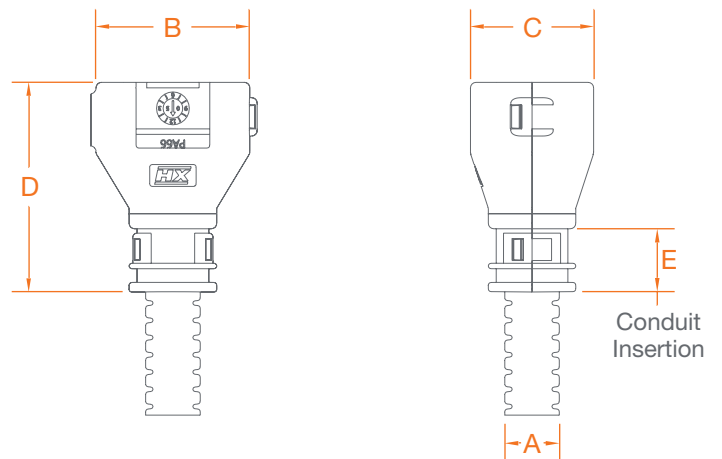
The 90° elbow allows the conduit to swivel 360° around the connector housing sufficient to avoid the problems associated with one-piece interfaces of overflexing due to movement or vibration.

These fittings are designed to snap together over all types of slit and unslit conduit thus maintaining maximum conduit bore.

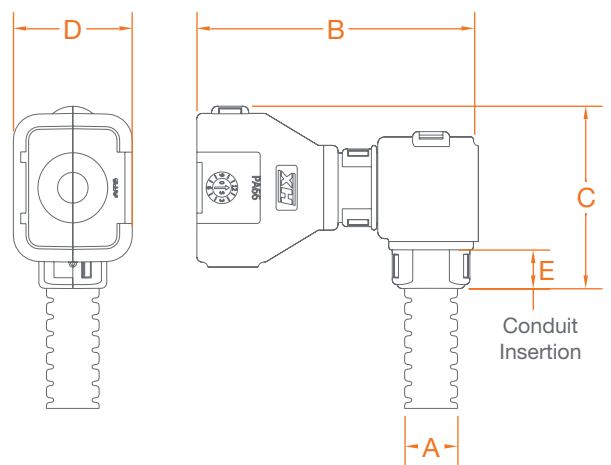
Configurations and Dimensions



External Straight Connector Interface



External 90° Elbow Connector Interface



AMP Seal Straight (Nominal Dimensions)

| Part No. | Connector | Conduit Size | | | | |
|-------------|-----------|--------------|----|----|----|----|
| | | A | B | C | D | E |
| CI08-AT2PL | 2 way | NC08 | 23 | 18 | 34 | 12 |
| CI08-AT3PL | 3 way | NC08 | 28 | 18 | 33 | 11 |
| CI08-AT4PL | 4 way | NC08 | 29 | 23 | 39 | 13 |
| CI12-AT4PL | 4 way | NC12 | 29 | 23 | 37 | 11 |
| CI12-AT6PL | 6 way | NC12 | 29 | 23 | 37 | 11 |
| CI12-AT8PL | 8 way | NC12 | 32 | 23 | 37 | 11 |
| CI12-AT12PL | 12 way | NC12 | 41 | 23 | 37 | 11 |
| CI16-AT8PL | 8 way | NC16 | 32 | 23 | 37 | 11 |
| CI16-AT12PL | 12 way | NC16 | 41 | 23 | 37 | 11 |
| CI20-AT20PL | 20 way | NC20 | 41 | 23 | 48 | 12 |

AMP Seal 90° Elbow (Nominal Dimensions)

| Part No. | Connector | Conduit Size | | | | |
|---------------|-----------|--------------|----|----|----|-----|
| | | A | B | C | D | E |
| CI08-90-AT2PL | 2 way | NC08 | 49 | 32 | 20 | 7.1 |
| CI08-90-AT3PL | 3 way | NC08 | 49 | 34 | 20 | 7.1 |
| CI08-90-AT4PL | 4 way | NC08 | 53 | 34 | 23 | 7.1 |
| CI12-90-AT2PL | 2 way | NC12 | 49 | 32 | 20 | 7.1 |
| CI12-90-AT3PL | 3 way | NC12 | 49 | 34 | 20 | 7.1 |
| CI12-90-AT4PL | 4 way | NC12 | 53 | 35 | 23 | 7.1 |

Configurations

| Part No. | Conduit Size | | Nominal Dimensions | | | |
|---------------|--------------|------|--------------------|------|------|-----|
| | (NC) | (NW) | B | C | D | E |
| CI08-90-AT2LP | 08 | 7.5 | 37.3 | 25 | 17 | 7.1 |
| CI08-90-AT2LR | 08 | 7.5 | 37.3 | 25 | 20 | 7.1 |
| CI08-90-AT3LP | 08 | 7.5 | 39.8 | 29 | 17.1 | 7.1 |
| CI08-90-AT3LR | 08 | 7.5 | 39.8 | 29 | 17.1 | 7.1 |
| CI08-90-AT4LP | 08 | 7.5 | 40.8 | 29.4 | 20.6 | 7.1 |
| CI08-90-AT4LR | 08 | 7.5 | 40.8 | 29.4 | 20.6 | 7.1 |
| CI08-90-AT6LP | 08 | 7.5 | 42.8 | 29.4 | 22.5 | 7.1 |
| CI08-90-AT6LR | 08 | 7.5 | 42.8 | 29.4 | 22.5 | 7.1 |
| CI12-90-AT2LP | 12 | 10 | 38 | 23 | 20 | 7.1 |
| CI12-90-AT2LR | 12 | 10 | 38 | 23 | 20 | 7.1 |
| CI12-90-AT3LP | 12 | 10 | 40.2 | 27.1 | 17.1 | 7.1 |
| CI12-90-AT3LR | 12 | 10 | 40.2 | 27.1 | 17.1 | 7.1 |
| CI12-90-AT4LP | 12 | 10 | 41.1 | 27.5 | 20.6 | 7.1 |
| CI12-90-AT4LR | 12 | 10 | 41.1 | 27.5 | 20.6 | 7.1 |
| CI12-90-AT6LP | 12 | 10 | 43.1 | 27.5 | 22.5 | 7.1 |
| CI12-90-AT6LR | 12 | 10 | 43.1 | 27.5 | 22.5 | 7.1 |
| CI08-TY002 | 08 | 7.5 | 26 | 22.3 | 22.5 | 6.0 |
| CI08-90TY002 | 08 | 7.5 | 36 | 32 | 22.5 | 7.1 |