

External Hinged Connector Interfaces (AMP Junior & Mini Timer)

Description

Single junction straight and 90° elbow fittings providing high integrity connections between AMP Superseal or Junior timer connectors and Harnessflex conduit systems.

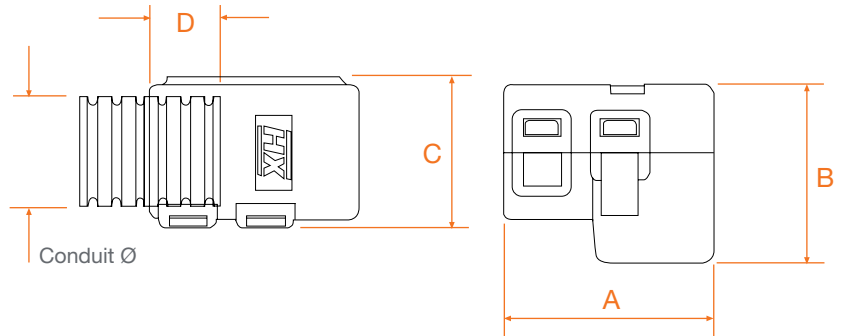
These fittings are designed to snap together over all types of slit and unslit conduit, thus maintaining maximum conduit bore.

In addition, 90° elbow versions allow the conduit to swivel 360° around the connector housing, sufficient to avoid the problems associated with one-piece interfaces of overflexing due to movement or vibration.

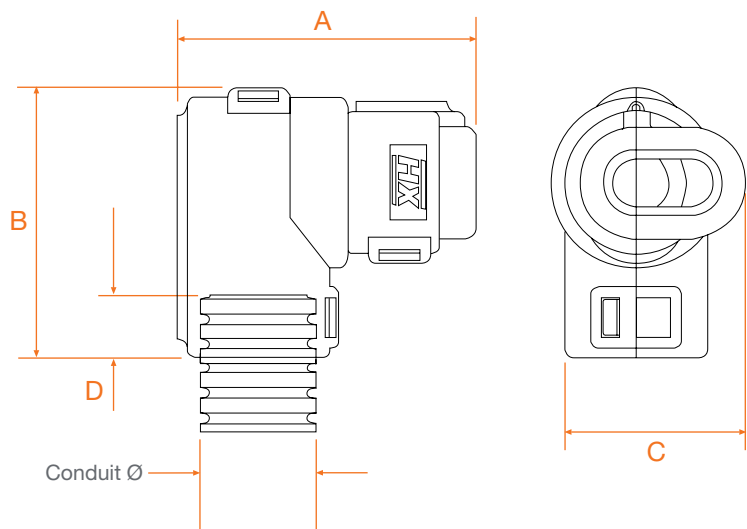
Configurations and Dimensions



External Straight Connector Interface



External 90° Elbow Connector Interface



Straight Interface

Part No.	Conduit Size		Connector Type	Nominal Dimensions			
	(NC)	(NW)		A	B	C	D
CI08-AM2	08	7.5	AMP Junior Timer 2-way	24.9	21.3	18	10
CI08-AM3	08	7.5	AMP Junior Timer 3-way	24.9	27.2	18	10
CI08-AM4	08	7.5	AMP Junior Timer 4-way	37	32	19	10
CI10-AM2	10	8.5	AMP Junior Timer 2-way	37	21	19	10
CI10-AM3	10	8.5	AMP Junior Timer 3-way	37	27	19	10
CI10-AM4	10	8.5	AMP Junior Timer 4-way	37	32	19	10
CI12-AM2	12	10	AMP Junior Timer 2-way	24.9	21.3	18	10
CI12-AM3	12	10	AMP Junior Timer 3-way	24.9	27.2	18	10
CI12-AM4	12	10	AMP Junior Timer 4-way	37	32	19	10

90° Elbow Swivel Interface

Part No.	Conduit Size		Connector Type	Nominal Dimensions			
	(NC)	(NW)		A	B	C	D
CI08-90-AM2	08	7.5	AMP Junior Timer 2-way	35.7	30.3	21.3	7
CI08-90-AM3	08	7.5	AMP Junior Timer 3-way	35.7	30.3	27.2	7
CI08-90-AM4	08	7.5	AMP Junior Timer 4-way	39.5	30.3	32	7
CI10-90-AM2	10	8.5	AMP Junior Timer 2-way	37.5	38	21.3	10
CI10-90-AM3	10	8.5	AMP Junior Timer 3-way	37.5	38	27.2	10
CI10-90-AM4	10	8.5	AMP Junior Timer 4-way	41.2	38	32	10
CI12-90-AM2	12	10	AMP Junior Timer 2-way	35.7	30.3	21.3	7
CI12-90-AM3	12	10	AMP Junior Timer 3-way	35.7	30.3	27.2	7
CI12-90-AM4	12	10	AMP Junior Timer 4-way	39.5	30.3	32	7