

External Hinged Connector Interfaces (AMP Superseal)

Description

Single junction straight and 90° elbow fittings providing high integrity connections between AMP Superseal or Junior timer connectors and Harnessflex conduit systems.

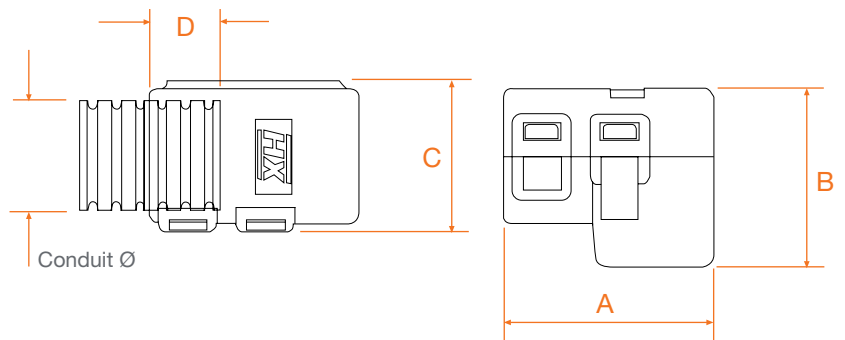
These fittings are designed to snap together over all types of slit and unslit conduit, thus maintaining maximum conduit bore.

In addition, 90° elbow versions allow the conduit to swivel 360° around the connector housing, sufficient to avoid the problems associated with one-piece interfaces of overflexing due to movement or vibration.

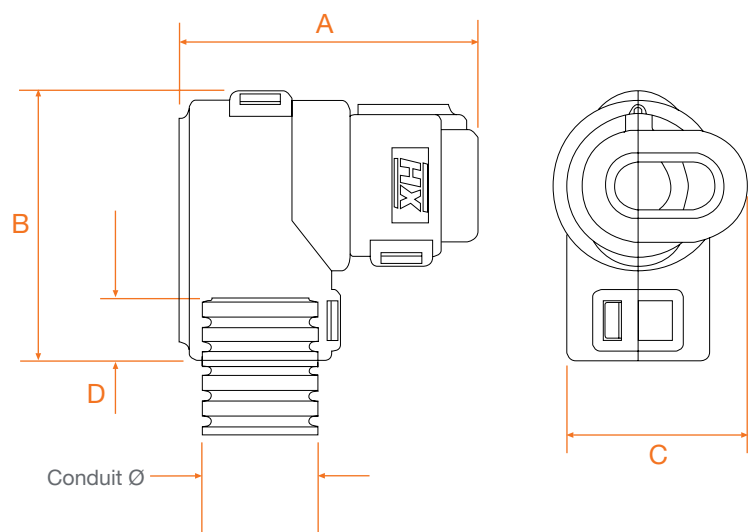
Configurations and Dimensions



External Straight Connector Interface



External 90° Elbow Connector Interface



Straight Interface

Part No.	Conduit Size		Connector Type	Nominal Dimensions			
	(NC)	(NW)		A	B	C	D
CI08-AS1	08	7.5	AMP Superseal 1-way	23.6	16.1	18	10
CI08-AS2	08	7.5	AMP Superseal 2-way	22.4	20.5	18	10
CI08-AS3	08	7.5	AMP Superseal 3-way	22.4	26.5	18	10
CI08-AS4	08	7.5	AMP Superseal 4-way	34	33	18	10
CI10-AS2	10	8.5	AMP Superseal 2-way	34	21	20	10
CI10-AS3	10	8.5	AMP Superseal 3-way	34	27	20	10
CI10-AS4	10	8.5	AMP Superseal 4-way	34	33	20	10
CI12-AS1	12	10	AMP Superseal 1-way	23.6	16.1	18	10
CI12-AS2	12	10	AMP Superseal 2-way	22.4	20.5	18	10
CI12-AS3	12	10	AMP Superseal 3-way	22.4	26.5	18	10
CI12-AS4	12	10	AMP Superseal 4-way	34	33	18	10

90° Elbow Swivel Interface

Part No.	Conduit Size		Connector Type	Nominal Dimensions			
	(NC)	(NW)		A	B	C	D
CI08-90-AS1	08	7.5	AMP Superseal 1-way	37.5	30.3	18	10
CI08-90-AS2	08	7.5	AMP Superseal 2-way	33.3	30.3	18	10
CI08-90-AS3	08	7.5	AMP Superseal 3-way	33.3	30.3	18	10
CI08-90-AS4	08	7.5	AMP Superseal 4-way	37	30.3	18	10
CI10-90-AS2	10	8.5	AMP Superseal 2-way	35	38	19	10
CI10-90-AS3	10	8.5	AMP Superseal 3-way	35	38	19	10
CI10-90-AS4	10	8.5	AMP Superseal 4-way	41.2	38	19	10
CI12-90-AS1	12	10	AMP Superseal 1-way	33.3	30.3	18	10
CI12-90-AS2	12	10	AMP Superseal 2-way	33.3	30.3	20.5	10
CI12-90-AS3	12	10	AMP Superseal 3-way	33.3	30.3	26.7	10
CI12-90-AS4	12	10	AMP Superseal 4-way	37	30.3	33	10