

## External Hinged Elbows

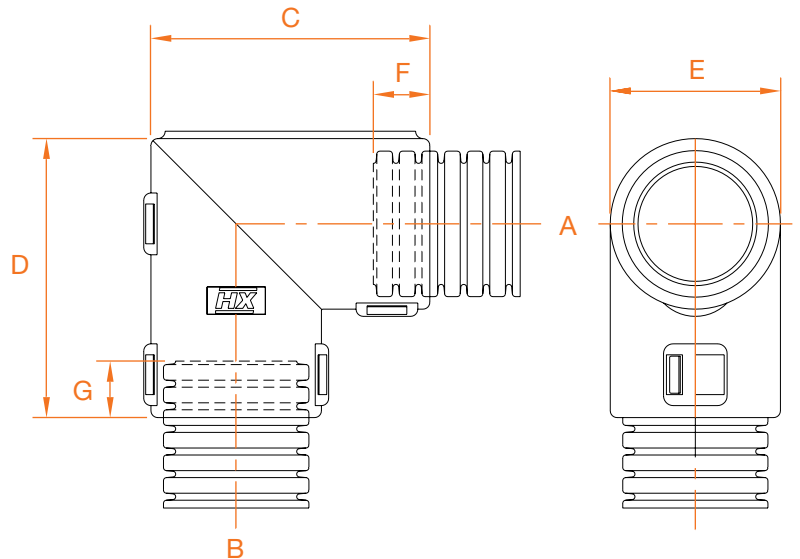
### Description

One-piece joiner and elbow hinged fittings allow a variety of conduit size variations.

These fittings are designed to snap together over all types of slit and unslit conduit, thus maintaining maximum conduit bore.

Can be used as a reducer as well as an enlarger.

### Configurations and Dimensions



Part No.	Conduit Sizes (NC)		Conduit Sizes (NW)		Nominal Dimensions				
	A	B	A	B	C	D	E	F	G
EPS08S08	08	08	7.5	7.5	38	29	20	10	10
EPS12S12	12	12	10	10	38	29	20	10	10
EPS0820	08	20	7.5	17	41	41	25	10	12
EPS1608	16	08	10	7.5	34	34	21	10	10
EPS1612	16	12	13	10	34	34	21	10	10
EPS1616	16	16	13	13	34	34	21	10	10
EPS2012	20	12	17	10	41	41	26	10	10
EPS2016	20	16	17	13	41	41	26	12	10
EPS2020	20	20	17	17	41	41	26	12	12
EPS2520	25	20	22	17	48	48	33	13	12
EPS2525	25	25	22	22	48	48	33	13	13
EPS2812	28	12	23	10	48	48	33	13	10
EPS2816	28	16	23	13	48	48	33	13	10
EPS2820	28	20	23	17	48	48	33	13	12
EPS2825	28	25	23	22	48	48	33	13	13
EPS2828	28	28	23	23	48	48	33	13	13
EPS28-70-25	n/a	n/a	n/a	n/a	51	37	16	n/a	n/a